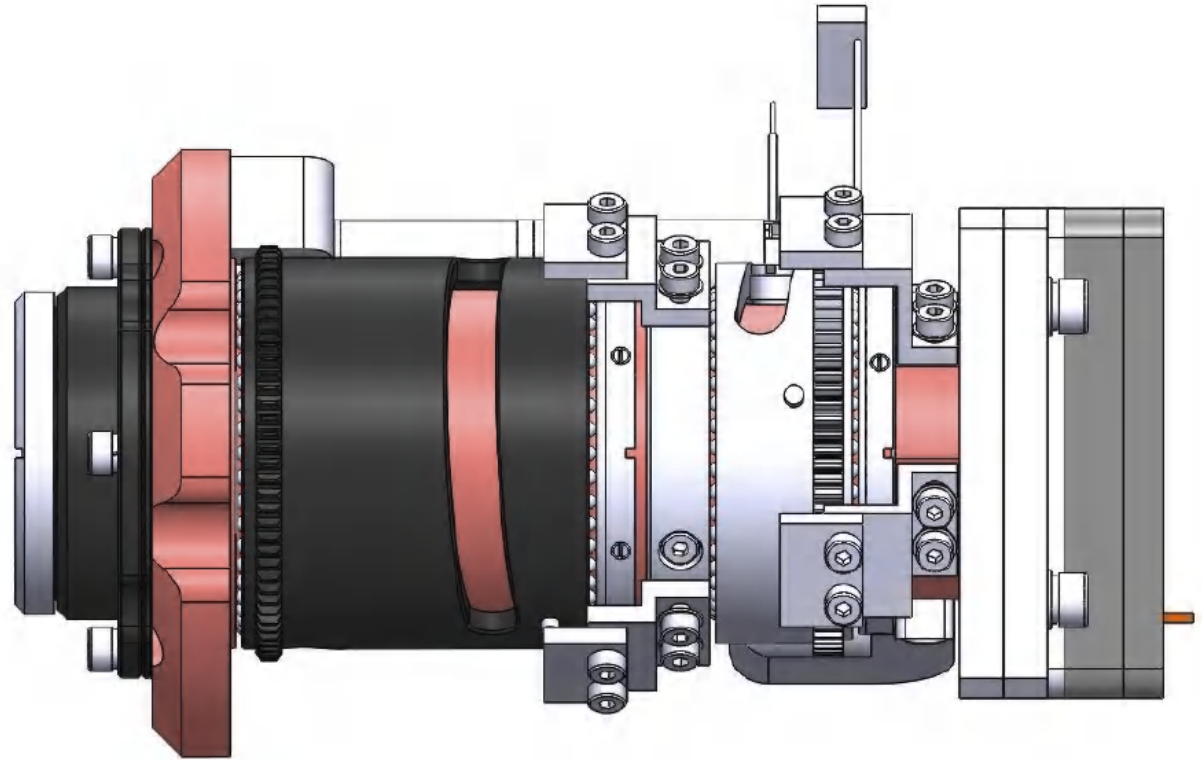
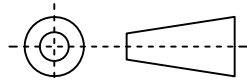


1	Type	Motorized Zoom Lens			
2	Adaptive Camera Pixels	1920*1080	1920*1080	1920*1080	
3	Pixel Size(μm)	2.7	3.45	4	
4	Format	5.184*2.916	6.624*3.726	7.68*4.32	
5	Camera Diagonal Size	5.95	7.60	8.81	
6	F.O.V (W-T)	Horizontal	24.38°~3.81°	30.86°~4.86°	35.49°~5.64°
7		Vertical	13.85°~2.14°	17.65°~2.74°	20.41°~3.17°
8		Diagonal	27.84°~4.37°	35.14°~5.58°	40.32°~6.47°
9	Focal Length(mm)	12~78mm			
10	F.No	F5.0			
11	Operating Band	400-700nm&750-950nm			
12	Resolution Ratio (lp/mm)	185	145	145	
13	OPT Max Resolution(lp/mm)	250	250	250	
14	TOTR(mm)	110	110	110	
15	MAX Clear Aperture(mm)	Ø26			
16	Back Focal Length(mm)	32.5 Filters Included			
17	Distortion	≤3%	≤4%	≤5%	
18	Nearest Work Distance	5m			
19	Focus	Rear Group Motorized Focus			
20	Focusing Time	Customization			
21	Zoom	Motorized Continuous Zoom			
22	Zoming Time	Customization			
23	Filter switching	Electric Switching			
24	MAX Structural Size(mm)	117.3*71.2*62			
25	Weight(g)	<400			
26	Power Input(V)	<12			
27	Operating Temperature	-25° ~+85°			
28	Optical Axis Consistency	≤2 Pixels			



Scale	Remark	Tolerances	Date	Revsied		福州创安光电科技有限公司 FUZHOU CHUANGAN OPTICS CO., LTD
	X	±0.2	2024-12-05	CH207A Rev1.0		
4: 1	X.0	±0.15				 3D Angle Projection
	X.00	±0.10	Design	Linda	2024-03-03	
Units	X.000	±0.001	Checked	Anna	2024-03-12	
	mm	Angle	±0.05°	Approval	Sanmu	2024-04-03