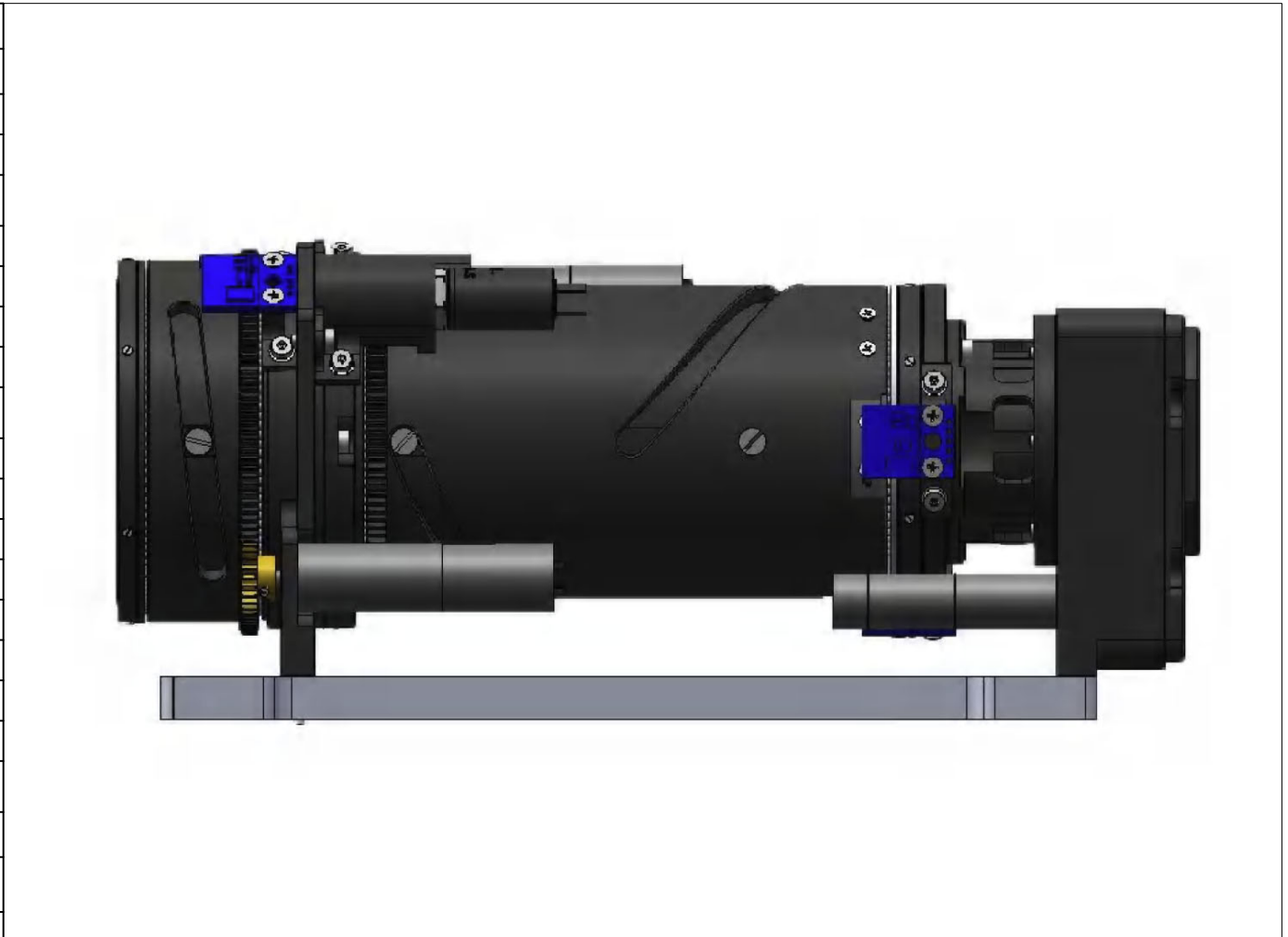
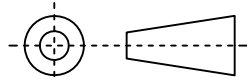


1	Type	Motorized Zoom Lens	
2	Adaptive Camera Pixels	1920*1080	1920*1080
3	Pixel Size(μm)	3	3
4	Format	5.76*3.24	6.624*3.726
5	Camera Diagonal Size	6.61	7.60
6	F.O.V (W-T)	Horizontal	32.13°~1.43°
7		Vertical	18.4°~0.81°
8		Diagonal	36.57°~1.65°
9	Focal Length(mm)	10~230mm	
10	F.No	F3.5~F5.0	
11	Operating Band	400-700nm&750-950nm	
12	Resolution Ratio (lp/mm)	167	145
13	OPT Max Resolution(lp/mm)	240	240
14	TOTR(mm)	193.2	193.2
15	MAX Clear Aperture(mm)	Ø46	
16	Back Focal Length(mm)	18.7 Fliters Included	
17	Distortion	Short Focuss ≤3%	Long Focuss ≤1.5%
18	Nearest Work Distance	20m	20m
19	Focus	Front Group Motorized Focus	
20	Focusing Time	Customization	
21	Zoom	Motorized Continuous Zoom	
22	Zoming Time	Customization	
23	Filter switching	Electric Switching	
24	MAX Structural Size(mm)	75*84*205	
25	Weight(g)	<1500	
26	Power Input(V)	<12	
27	Operating Temperature	-25° ~+85°	
28	Optical Axis Consistency	≤2 Pixels	



Scale	Remark	Tolerances	Date	Revsied		福州创安光电科技有限公司 FUZHOU CHUANGAN OPTICS CO., LTD
	X	±0.2	2024-12-05	CH206A Rev1.0		
4: 1	X.0	±0.15				 3D Angle Projection
	Units	X.00	±0.10	Design	Linda	
mm	X.000	±0.001	Checked	Anna	2024-03-12	
	Angle	±0.05°	Approval	Sanmu	2024-04-03	