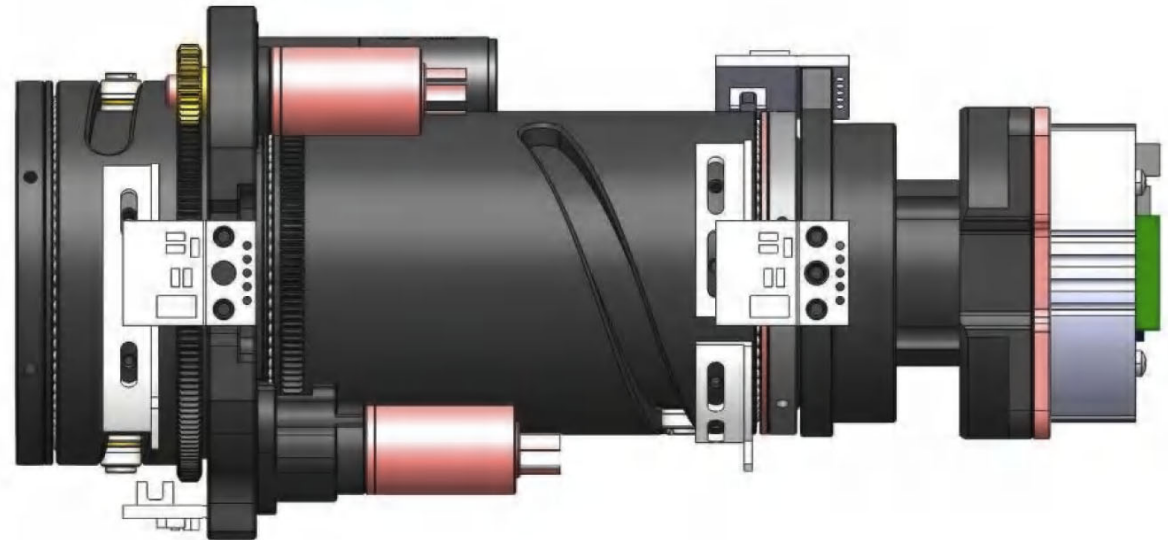
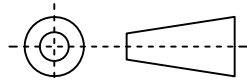


1	Type	Zoom Lens	
2	Adaptive Camer Pixels	1920*1080	1920*1080
3	Pixel Size(μm)	2.7	3
4	Format	5.184*2.916	5.76*3.24
5	Camera Diagonal Size	5.95	6.61
6	F.O.V (W-T)	Horizontal	35.90°~2.47°
7		Vertical	20.66°~1.39°
8		Diagonal	40.78~2.84°
9	Focal Length(mm)	8~120mm	
10	F.No	F5.0	
11	Operating Band	400-700nm&750-950nm	
12	Resolution Ratio (lp/mm)	185	167
13	OPT Max Resolution(lp/mm)	220	220
14	TOTR(mm)	125	125
15	MAX Clear Aperture(mm)	Ø30	Ø30
16	Back Focal Length(mm)	22.8	22.80
17	Distortion	≤6%	≤1.5%
18	Nearest Work Distance	5m	5m
19	Focus	Front Group Motorized Focus	
20	Focusing Time	Customization	
21	Zoom	Motorized Continuous Zoom	
22	Zoming Time	Customization	
23	Filter switching	Electric Switching	
24	MAX Structural Size(mm)	72*66*130	
25	Weight(g)	<500	
26	Power Input(V)	<12	
27	Operating Temperature	-25° ~+85°	
28	Optical Axis Consistency	≤2 Pixels	



Scale	Remark	Tolerances	Date	Revsied		福州创安光电科技有限公司 FUZHOU CHUANGAN OPTICS CO., LTD
4: 1	X	±0.2	2024-12-05	CH203A Rev1.0		
	X.0	±0.15				
Units	X.00	±0.10	Design	Linda	2024-03-03	 3D Angle Projection
	X.000	±0.001	Checked	Anna	2024-03-12	
mm	Angle	±0.05°	Approval	Sanmu	2024-04-03	