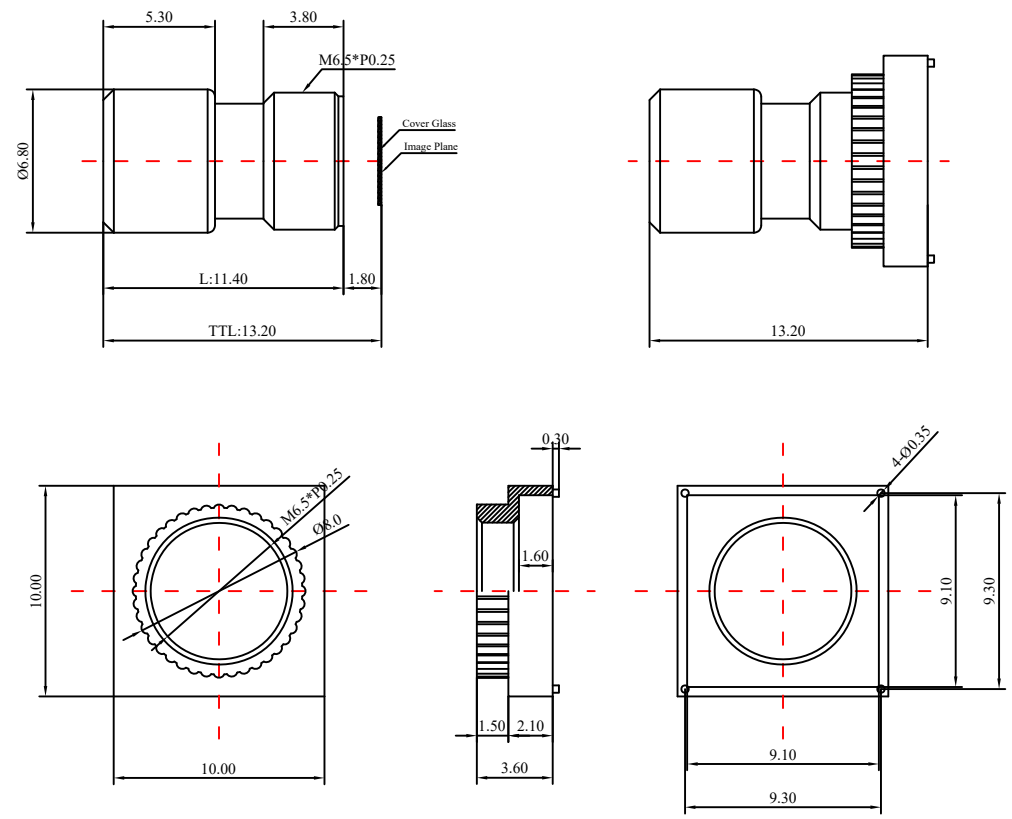
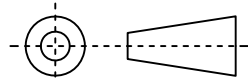


1	Type	M6.5 Lens	
2	Resolution	20MP	
3	Image Format	1/2.9"	
4	Image Circle	φ6.40mm(MAX)	
5	EFL	14.46mm	
6	TTL	13.20mm	
7	F/NO.	F6.5	
8	FFL (M)	1.80mm	
9	BFL (O)	6.40mm	
10	For Sensor	1/2.9"	
11	F.O.V	Horizontal	---
12		Vertical	---
13		Diagonal	22° (Y=3.05mm)
14	TV Distortion	<-1%	
15	Relative Ill.	>75.8%(@Y'=3.05)	
16	Chief Ray Angle	<16.9°	
17	M.O.D	0.1m~∞	
18	Mount Type	M6.5*P0.25	
19	Dimension Figure	φ6.8*L11.40mm	
20	Lens Structure	5P	
21	IR-Filter	IR650nm	
22	Waterproof	No	
23	Weight	Holder+Lens 0.4g	
24	Iris Operation	Fixed	
25	Zoom Operation	Fixed	
26	Focus Operation	Manual	
27	Operating Temperature	-15° ~+45°	
28	Storage Temperature	-15° ~+45°	



Scale	Remark	Tolerances	Date	Revised	
4:1	X	±0.2	2023-06-28	CH2032BB Rev1.0	
	X.0	±0.15			
Units	X.00	±0.10	Design	Linda	2023-04-27
	X.000	±0.001	Checked	Anna	2023-05-16
mm	Angle	±0.5°	Approval	Sanmu	2023-05-23

福州创安光电科技有限公司
FUZHOU CHUANGAN OPTICS CO., LTD



3D Angle Projection