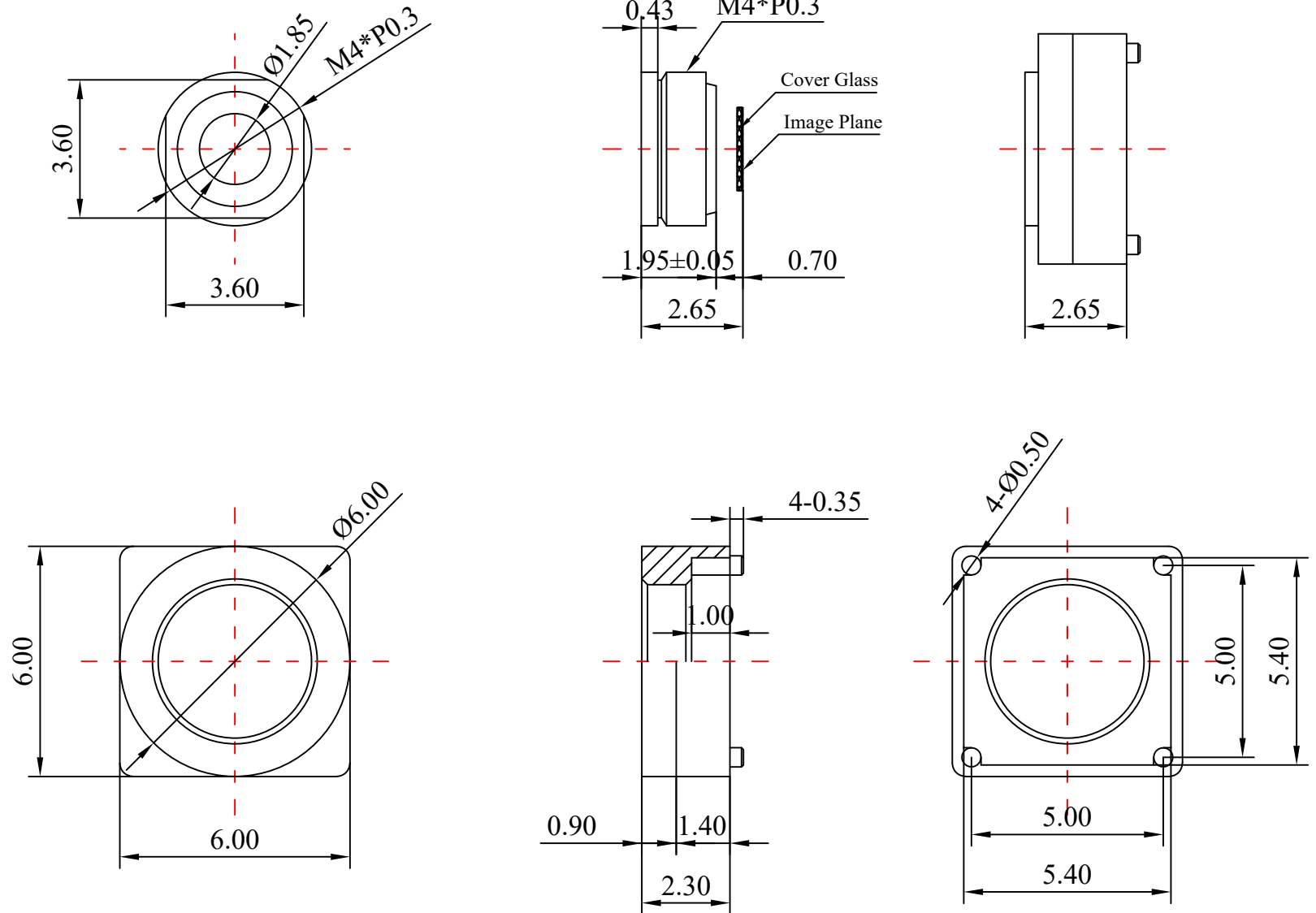
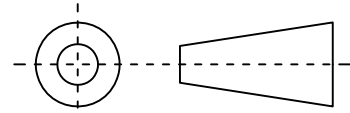


1	Type	M4 Lens	
2	Resolution	MP	
3	Image Format	1/9" & 1/10"	
4	Image Circle	φ2.9mm(MAX)	
5	EFL	1.0mm	
6	TTL	2.65mm	
7	F/NO.	F3.0	
8	FFL (M)	0.70mm	
9	BFL (O)	0.97mm	
10	For Sensor	1/9"	1/10"
11	F.O.V	Horizontal	84° 70.8°
12		Vertical	51.2° 55.8°
13		Diagonal	98.0° 88.0°
14	TV Distortion	<-1.5%	
15	Relative Ill.	>45.2%	
16	Chief Ray Angle	<29.1°	
17	M.O.D	0.1m~∞	
18	Mount Type	M4*P0.3	
19	Dimension Figure	φ4.0*L1.95mm	
20	Lens Structure	3P	
21	IR-Filter	IR650nm	
22	Waterproof	---	
23	Weight	---	
24	Iris Operation	Fixed	
25	Zoom Operation	Fixed	
26	Focus Operation	Manual	
27	Operating Temperature	-15° ~+45°	
28	Storage Temperature	-15° ~+45°	



Scale	Remark	Tolerances	Date	Revised	
4:1	X	±0.2	2022-06-07	CH2026AB+5215A Rev1.0	
	X.0	±0.15			
Units	X.00	±0.10	Design	Linda	2022-04-27
	X.000	±0.001	Checked	Anna	2022-05-16
mm	Angle	±0.5°	Approval	Sanmu	2022-05-23

福州创安光电科技有限公司
 FUZHOU CHUANGAN OPTICS CO., LTD



3D Angle Projection