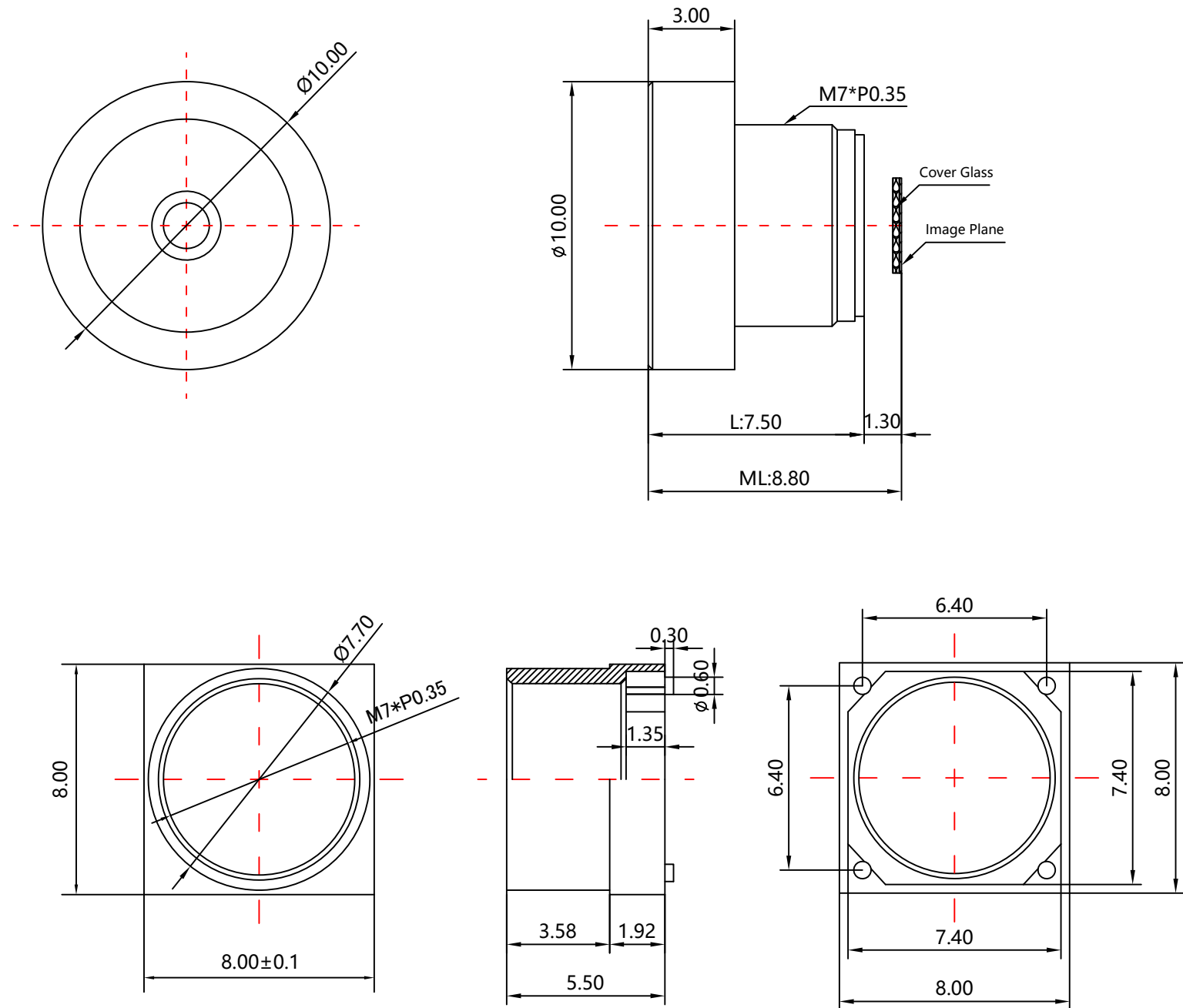


1	Type	Board Lens	
2	Resolution	MP	
3	Image Format	1/4"	
4	Image Circle	φ4.6mm(MAX)	
5	EFL	3.27mm	
6	ML	8.80mm	
7	F/NO.	3	
8	FFL (M)	1.30mm	
9	BFL (O)	1.67mm	
10	For Sensor	1/4"	
11	F.O.V	Horizontal	52°
12		Vertical	39°
13		Diagonal	68°
14	TV Distortion	<-1%	
15	Relative Ill.	>55%	
16	Chief Ray Angle	<30°	
17	M.O.D	0.1m~∞	
18	Mount Type	M7*P0.35	
19	Dimension Figure	φ10.0*L7.5mm	
20	Lens Structure	5P	
21	IR-Filter	T=50%&IR650±10nm	
22	Weight	0.3g	
23	Iris Operation	Fixed	
24	Zoom Operation	Fixed	
25	Focus Operation	Manual	
26	Operating Temperature	-10° ~+45°	
27	Storage Temperature	-10° ~+45°	



Scale	Remark	Tolerances	Date	Revised		福州创安光电科技有限公司 FUZHOU CHUANGAN OPTICS CO., LTD
4:1	X	± 0.2	2020-09-21	CH2011A Rev1.1		
	X.0	± 0.15				
Units	X.00	± 0.10	Design	Linda	2020-07-21	
	X.000	± 0.001	Checked	Anna	2020-08-06	
mm	Angle	± 0.5°	Approval	Sanmu	2020-08-22	

