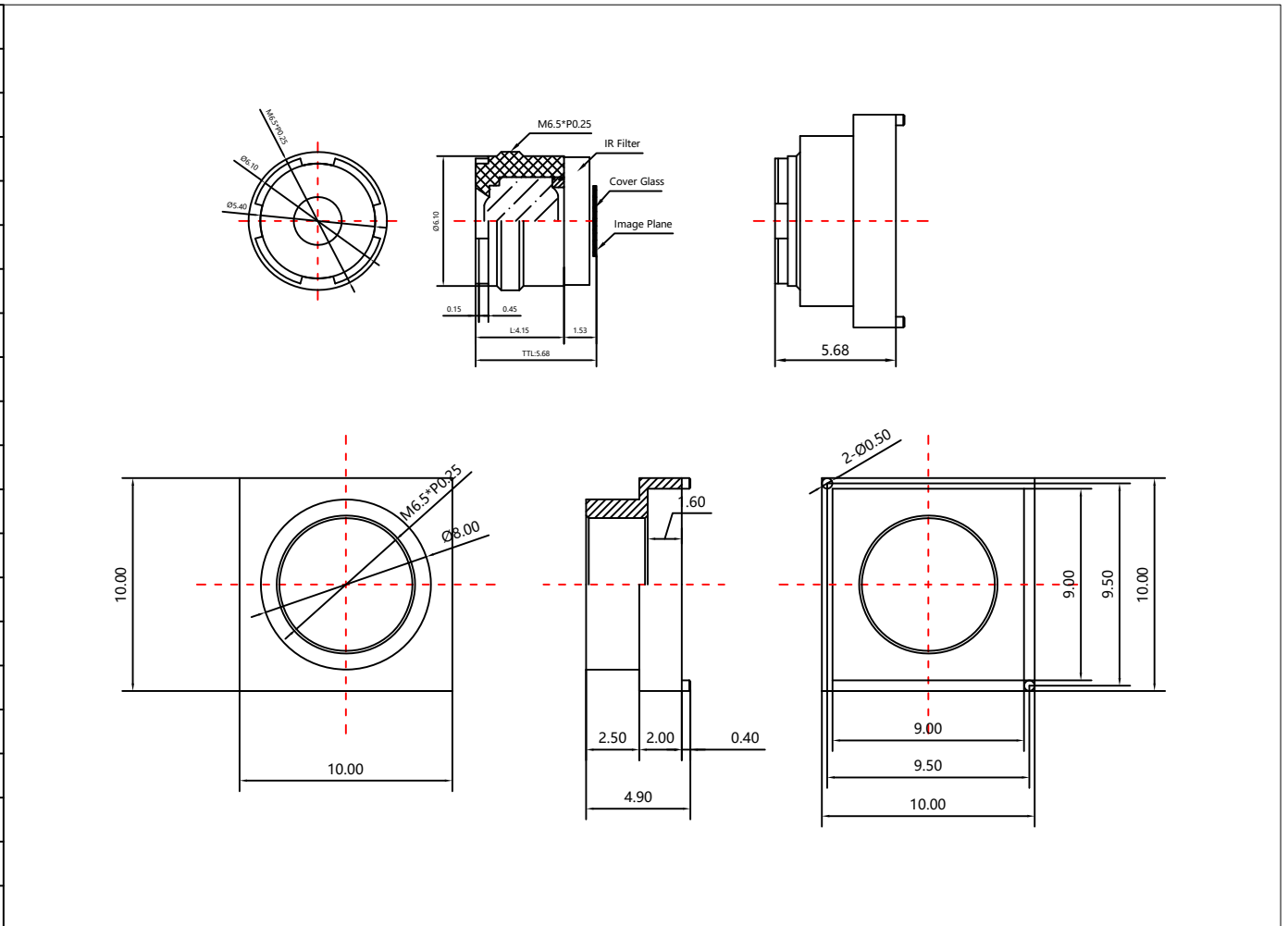
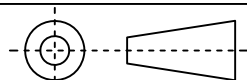


1	Type	Board Lens	
2	Resolution	MP	
3	Image Format	1/4"	
4	Image Circle	φ4.6mm(MAX)	
5	EFL	4.8mm	
6	TTL	5.68mm	
7	F/NO.	2.2	
8	FFL (M)	1.53mm	
9	BFL (O)	1.80mm	
10	For Sensor	1/4"	
11	F.O.V	Horizontal	60°
12		Vertical	---
13		Diagonal	---
14	TV Distortion	<-1%	
15	Relative Ill.	>50%	
16	Chief Ray Angle	<32°	
17	M.O.D	0.1m~∞	
18	Mount Type	M6.5*P0.25	
19	Dimension Figure	M6.50*L4.15mm	
20	Lens Structure	5P	
21	IR-Filter	IR850 BN	
22	Weight	0.3g	
23	Iris Operation	Fixed	
24	Zoom Operation	Fixed	
25	Focus Operation	Manual	
26	Operating Temperature	-10° ~+45°	
27	Storage Temperature	-10° ~+45°	



Scale	Remark	Tolerances	Date	Revised		福州创安光电科技有限公司 FUZHOU CHUANGAN OPTICS CO., LTD
4:1	X	± 0.2	2019-07-12	CH2010AC+5205A Rev1.0		
Units	X.00	± 0.10	Design	Linda	2015-04-15	 3D Angle Projection
mm	X.000	± 0.001	Checked	Anna	2015-04-15	
	Angle	± 0.5°	Approval	Sanmu	2015-04-15	