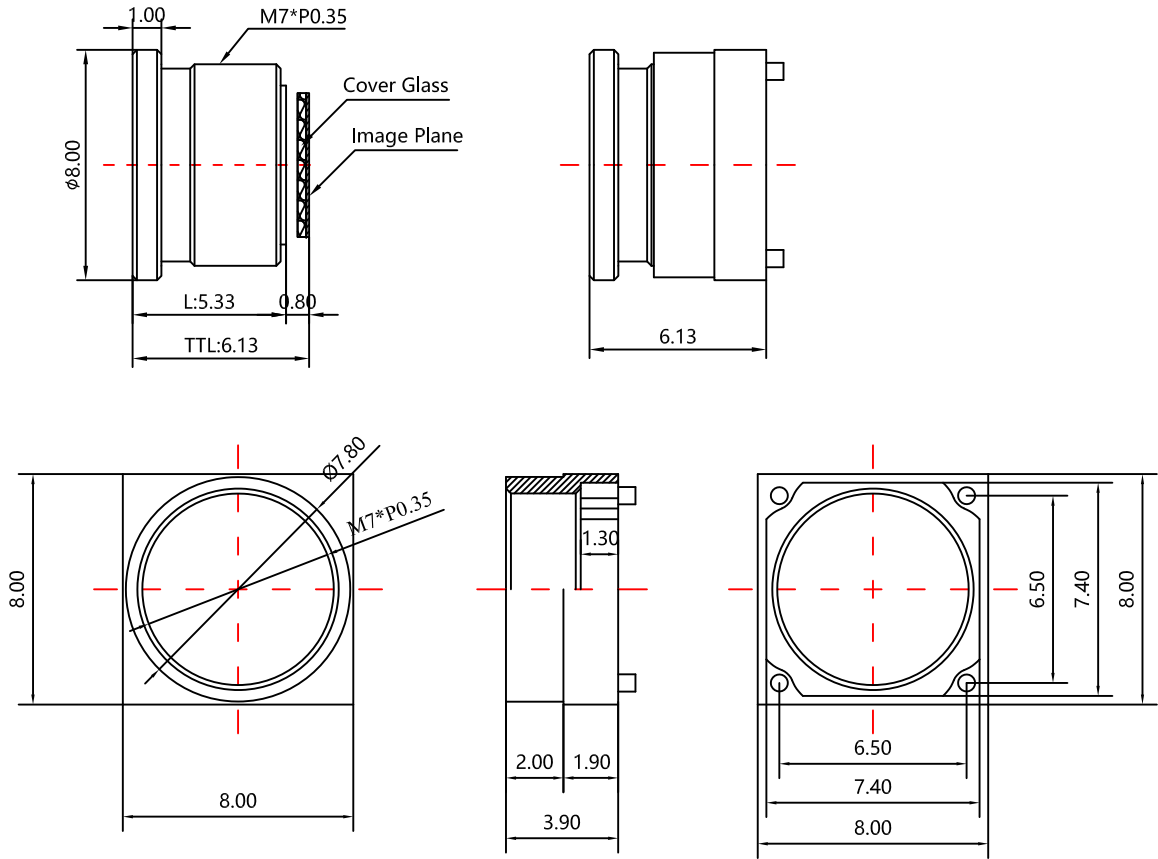
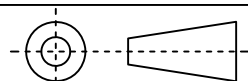


1	Type	M7 Lens	
2	Resolution	MP	
3	Image Format	1/4"	
4	Image Circle	φ4.8mm(MAX)	
5	EFL	2.3mm	
6	ML	6.13mm	
7	F/NO.	2.6	
8	FFL (M)	0.80mm	
9	BFL (O)	1.30mm	
10	For Sensor	1/4"	
11	F.O.V	Horizontal	80°
12		Vertical	55°
13		Diagonal	90°
14	TV Distortion	<-0.5%	
15	Relative Ill.	>45%	
16	Chief Ray Angle	<28°	
17	M.O.D	0.1m~∞	
18	Mount Type	M7*P0.35	
19	Dimension Figure	φ8.00*L5.33mm	
20	Lens Structure	4P	
21	IR-Filter	Non-IR	
22	Weight	0.3g	
23	Iris Operation	Fixed	
24	Zoom Operation	Fixed	
25	Focus Operation	Manual	
26	Operating Temperature	-10° ~+45°	
27	Storage Temperature	-10° ~+45°	



Scale	Remark	Tolerances	Date	Revised	
8: 1	X	± 0.2	2019-05-12	CH2002A+CH5405A Rev1.0	
	X.0	± 0.15			
Units	X.00	± 0.10	Design	Linda	2015-04-15
	X.000	± 0.001	Checked	Anna	2015-04-15
mm	Angle	± 0.5°	Approval	Sanmu	2015-04-15

福州创安光电科技有限公司  
 FUZHOU CHUANGAN OPTICS CO., LTD



3D Angle Projection