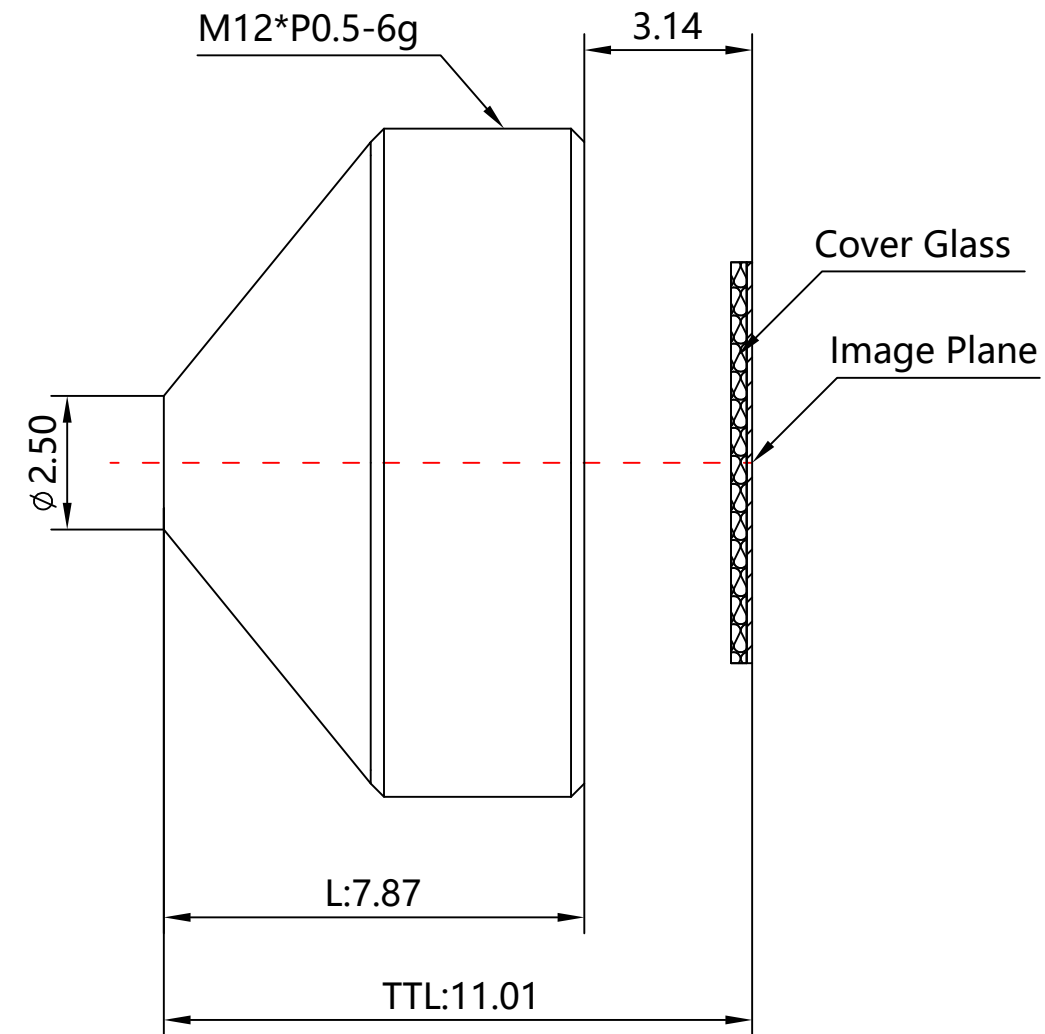


1	Type	Pinhole Lens	
2	Resolution	MP	
3	Image Format	1/4"	
4	Image Circle	φ4.6mm(MAX)	
5	EFL	2.1mm	
6	TTL	11.01mm	
7	F/NO.	2.5	
8	FFL (M)	3.14mm	
9	BFL (O)	4.51mm	
10	For Sensor	1/4"	
11	F.O.V	Horizontal	85°
12		Vertical	65°
13		Diagonal	130°
14	TV Distortion	<-25%	
15	Relative Ill.	>65%	
16	Chief Ray Angle	<13°	
17	M.O.D	0.1m~∞	
18	Mount Type	M12*P0.5-6g	
19	Dimension Figure	M12.00*L7.87mm	
20	Lens Structure	4G	
21	IR-Filter	Non-IR	
22	Weight	1.4g	
23	Iris Operation	Fixed	
24	Zoom Operation	Fixed	
25	Focus Operation	Manual	
26	Operating Temperature	-20° ~+85°	
27	Storage Temperature	-20° ~+85°	



Scale	Remark	Tolerances	Date	Revised		福州创安光电科技有限公司 FUZHOU CHUANGAN OPTICS CO., LTD
5: 1	X	± 0.2	2019-05-13	CH1939PA Rev1.0		
	X.0	± 0.15				
Units	X.00	± 0.10	Design	Linda	2016-01-05	
	X.000	± 0.001	Checked	Anna	2016-03-05	
mm	Angle	± 0.5°	Approval	Sanmu	2016-03-21	

