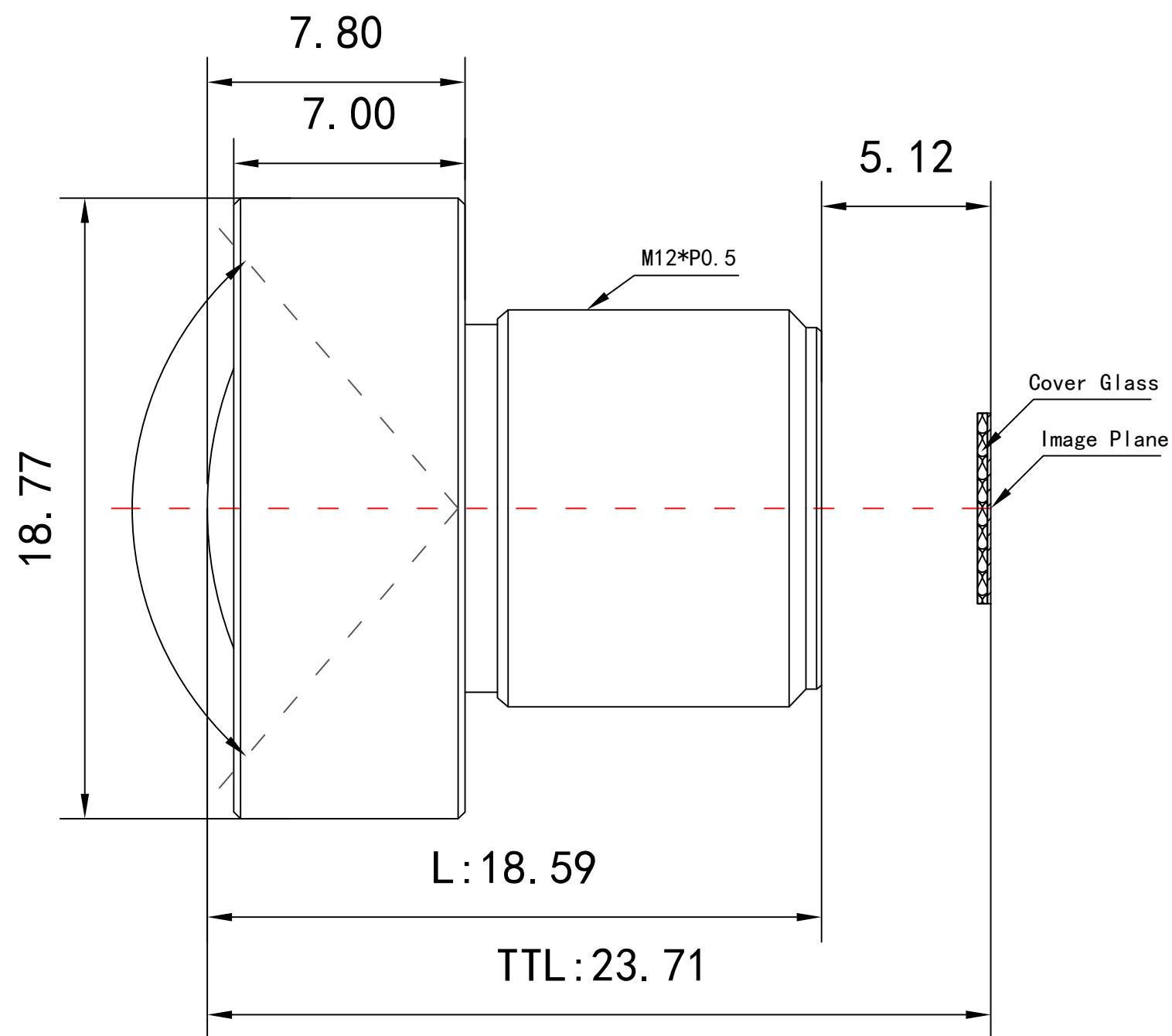
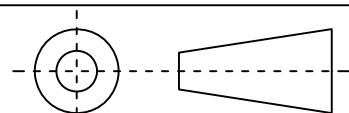


1	Type	Low Distortion Lens	
2	Resolution	8.8MP	
3	Image Format	6.4*4.8*8.0mm	
4	Image Circle	φ8.0mm(MAX)	
5	EFL	3.5mm	
6	TTL	23.71mm	
7	F/NO.	2.8	
8	FFL (M)	5.12mm	
9	BFL (O)	5.65mm	
10	For Sensor	1/2"	1/3"
11	F.O.V	Horizontal	86°
12		Vertical	70°
13		Diagonal	100°
14	TV Distortion	<-1%	<-0.5%
15	Relative Ill.	>78%	
16	Chief Ray Angle	<24°	
17	M.O.D	0.1m~∞	
18	Mount Type	M12*P0.5	
19	Dimension Figure	φ18.77*L18.59mm	
20	Lens Structure	6G+1MO All Glass	
21	IR-Filter	Non-IR	
22	Weight	8.3g	
23	Iris Operation	Fixed	
24	Zoom Operation	Fixed	
25	Focus Operation	Manual	
26	Operating Temperature	-20° ~+85°	
27	Storage Temperature	-20° ~+85°	



Scale	Remark	Tolerances	Date	Revised		福州创安光电科技有限公司 FUZHOU CHUANGAN OPTICS CO., LTD
4: 1	X	± 0.1	2019-07-29	CH160A Rev1.0		
	X.0	± 0.05				
Units	X.00	± 0.03	Design	Linda	2017-02-10	 3D Angle Projection
	X.000	± 0.001	Checked	Anna	2017-10-12	
mm	Angle	± 0.5°	Approval	Sanmu	2017-12-10	