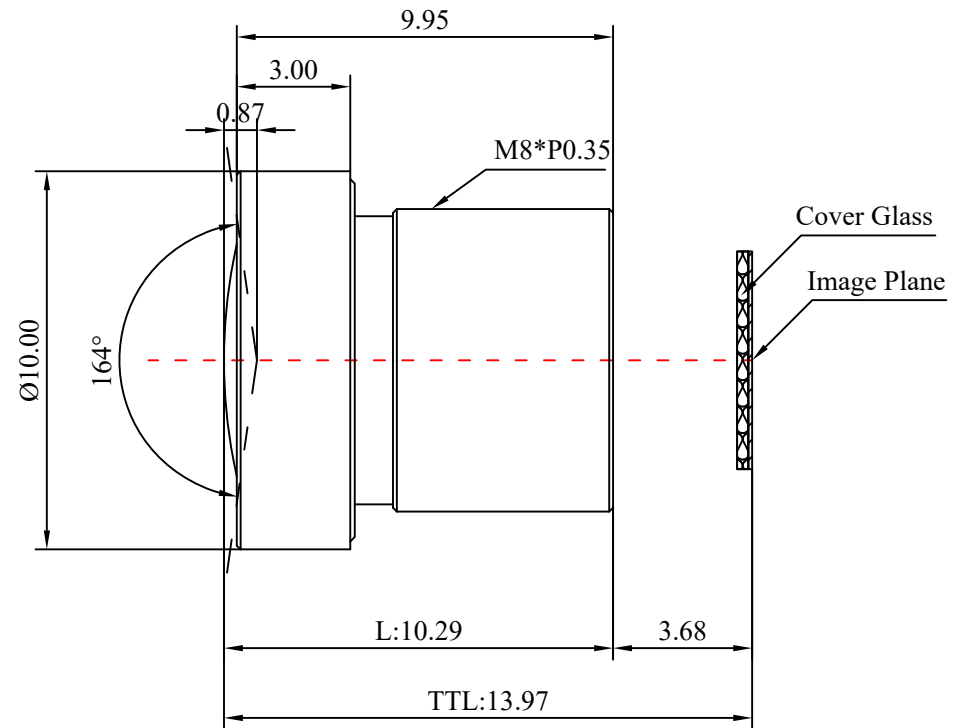
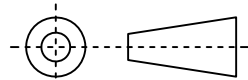


1	Type	Wide Angle Lens		
2	Resolution	MP		
3	Image Format	1/2.7"		
4	Image Circle	φ6.8mm(MAX)		
5	EFL	2.92mm		
6	TTL	13.97mm		
7	F/NO.	2.4		
8	FFL (M)	3.68mm		
9	BFL (O)	5.21mm		
10	For Sensor	OV2710	OV4689	
11	F.O.V	Horizontal	132°	110°
12		Vertical	66°	68°
13		Diagonal	163°	140°
14	TV Distortion	<-25%		
15	Relative Ill.	>70%		
16	Chief Ray Angle	<15°		
17	M.O.D	0.1m~∞		
18	Mount Type	M8*P0.35		
19	Dimension Figure	φ10.00*L10.29mm		
20	Lens Structure	5G		
21	IR-Filter	T=50% & 650±10nm		
22	Waterproof	No		
23	Weight	---		
24	Iris Operation	Fixed		
25	Zoom Operation	Fixed		
26	Focus Operation	Manual		
27	Operating Temperature	-20° ~+85°		
28	Storage Temperature	-20° ~+85°		



Scale	Remark	Tolerances	Date	Revised	
4:1	X	±0.2	2020-03-27	CH1312B Rev1.0	
	X.0	±0.15			
Units	X.00	±0.10	Design	Linda	2015-01-05
	X.000	±0.001	Checked	Anna	2015-04-17
mm	Angle	±0.5°	Approval	Sanmu	2015-05-02

福州创安光电科技有限公司
FUZHOU CHUANGAN OPTICS CO., LTD



3D Angle Projection