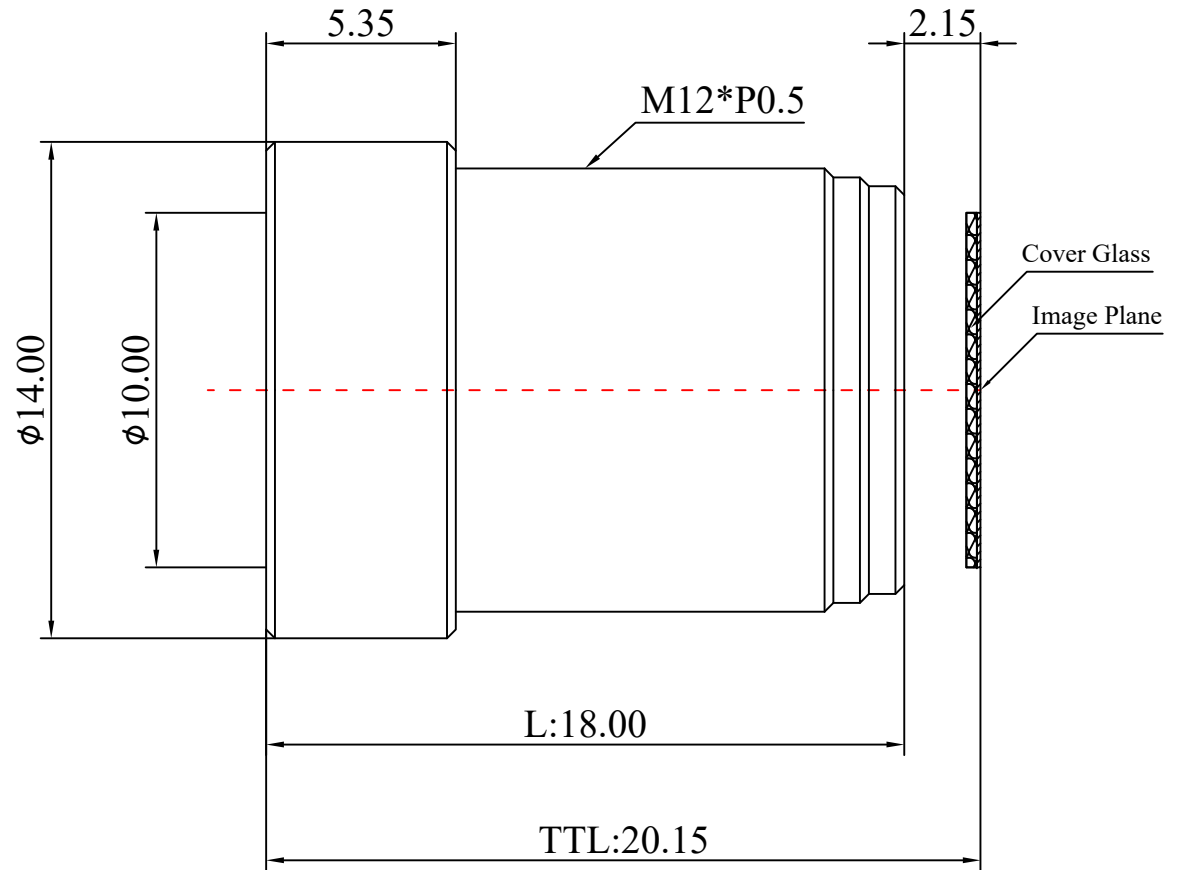
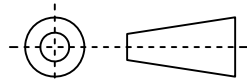


1	Type	Wide Angle Lens	
2	Resolution	MP	
3	Image Format	1/2.5"	
4	Image Circle	φ7.2mm(MAX)	
5	EFL	2.97mm	
6	TTL	20.90mm	
7	F/NO.	4.0	
8	FFL (M)	2.15mm	
9	BFL (O)	3.55mm	
10	For Sensor	1/2.5"	
11	F.O.V	Horizontal	93°
12		Vertical	63°
13		Diagonal	102°
14	TV Distortion	<-1%	
15	Relative Ill.	>68%	
16	Chief Ray Angle	<15°	
17	M.O.D	0.1m~∞	
18	Mount Type	M12*P0.5	
19	Dimension Figure	φ14.0*L18.00mm	
20	Lens Structure	4G2P	
21	IR-Filter	T=50%&IR650±10nm	
22	Waterproof	No	
23	Weight	5g	
24	Iris Operation	Fixed	
25	Zoom Operation	Fixed	
26	Focus Operation	Manual	
27	Operating Temperature	-10° ~+45°	
28	Storage Temperature	-20° ~+65°	



Scale	Remark	Tolerances	Date	Revised		福州创安光电科技有限公司 FUZHOU CHUANGAN OPTICS CO., LTD
4:1	X	±0.2	2019-05-10	CH1120A Rev1.1		
Units	X.00	±0.10	Design	Linda	2015-10-17	 3D Angle Projection
	X.000	±0.001	Checked	Anna	2015-12-05	
mm	Angle	±0.5°	Approval	Sanmu	2016-03-15	