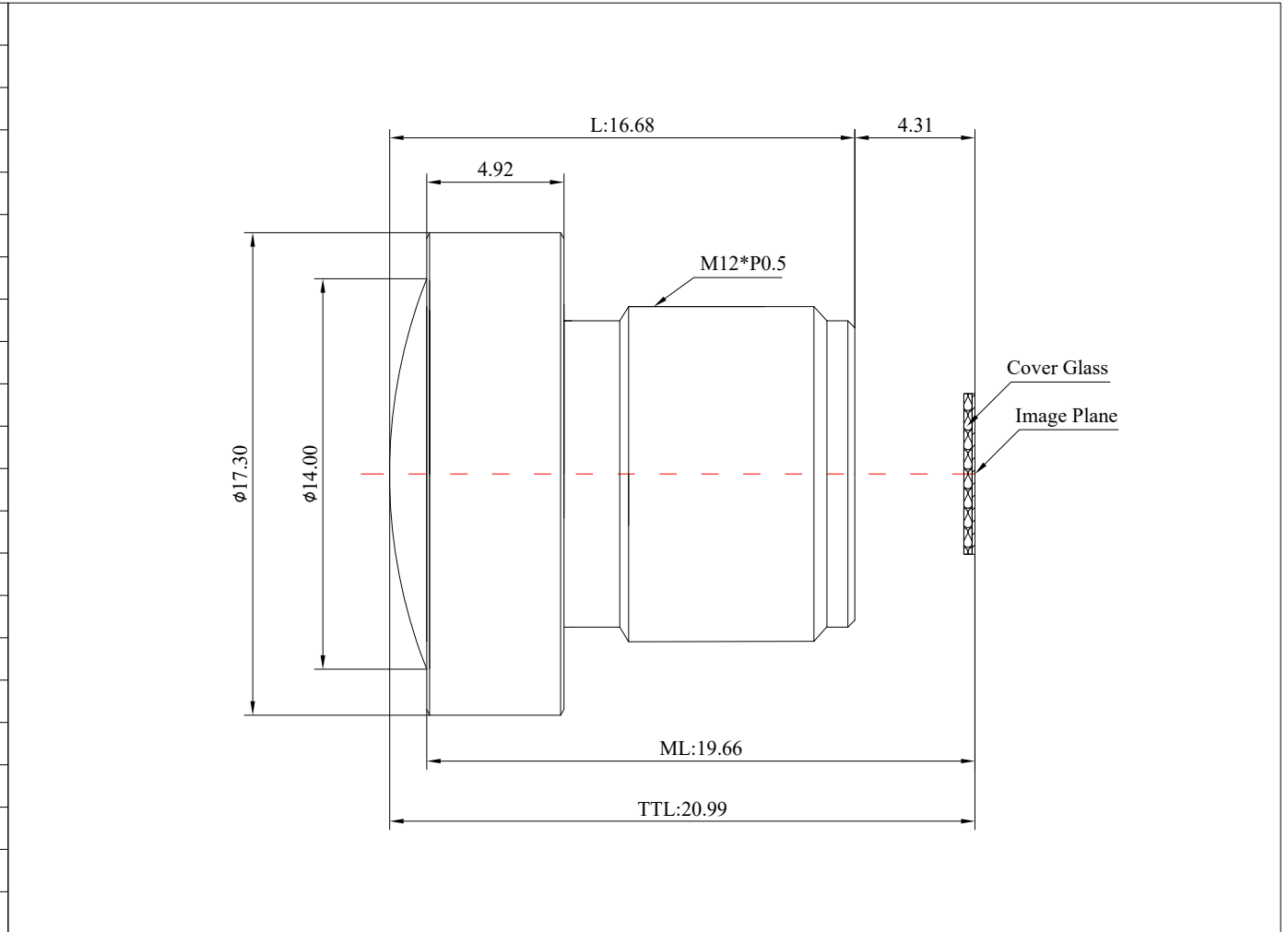
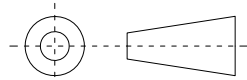


1	Type	Wide Angle Lens	
2	Resolution	16MP	
3	Image Format	1/2.3"	
4	Image Circle	φ8.0mm(MAX)	
5	EFL	3mm	
6	TTL	20.99mm	
7	F/NO.	2.0	
8	FFL (M)	4.31mm	
9	BFL (O)	5.53mm	
10	For Sensor	IMX117	
11	F.O.V	Horizontal	120°
12		Vertical	90°
13		Diagonal	153°
14	TV Distortion	<-15%	
15	Relative Ill.	>70%	
16	Chief Ray Angle	<10°	
17	M.O.D	0.1m~∞	
18	Mount Type	M12*P0.5	
19	Dimension Figure	φ17.3*L16.68mm	
20	Lens Structure	6G	
21	IR-Filter	T=50% & IR650±10nm	
22	Waterproof	No	
23	Weight	7.3g	
24	Iris Operation	Fixed	
25	Zoom Operation	Fixed	
26	Focus Operation	Manual	
27	Operating Temperature	-20° ~+85°	
28	Storage Temperature	-20° ~+85°	



Scale	Remark	Tolerances	Date	Revised		福州创安光电科技有限公司 FUZHOU CHUANGAN OPTICS CO., LTD
4:1	X	±0.2	2019-07-22	CH1108A Rev1.0		
Units	X.00	±0.10	Design	Linda	2015-02-03	 3D Angle Projection
	X.000	±0.001	Checked	Anna	2015-03-16	
mm	Angle	±0.5°	Approval	Sanmu	2015-03-19	